

# Exquisite

PRODUCT CATALOGUE 2016



# Exquisite

Exquisite Marketing Australia Pty. Ltd.  
Unit 5, 6 Garden Road  
Clayton VIC 3168 Australia

**P** +61 3 9561 1595, 9561 1695

**F** +61 3 9561 1690

**E** sales@exquisiteaust.com.au

**W** www.exquisiteaust.com.au

## Company Overview

---

Exquisite Marketing Australia Pty. Ltd. was established in 2004 as an importer and distributor of commercial refrigeration products. At Exquisite Marketing Australia we have a strong team environment and provide all our clients with a reliable and highly valued service.

Since the start of our business, our company has grown each year, thanks to support from our customers for our quality products and services. We now have a commercial refrigeration range that fit whole commercial kitchen needs, display refrigeration for your store, medical refrigeration range as well as other refrigeration product.

Our objective is to provide our clients with high quality equipment that performs exceptionally well in diverse climate supported by reliable service network throughout the region. Exquisite Marketing Australia pride ourselves on providing trustworthy service, delivered by our dedicated staff who have the experiences and skills to advise you on all your refrigeration requirements.

# Contents

---

<b>Company Overview</b> .....	<b>02</b>
<b>Contents</b> .....	<b>03</b>

<b>Commercial Kitchen:</b> .....	<b>04</b>
Under Bench Chillers with Solid Doors .....	05
Under Bench Chillers with Glass Doors .....	06
Under Bench Freezers with Solid Doors .....	07
Snack Size Under Bench Chillers with Solid Doors .....	08
Snack Size Under Bench Chillers with Glass Doors .....	09
Snack Size Under Bench Freezers with Solid Doors .....	10
Single Door Under Bench Chillers and Freezers .....	11
Upright Gastronorm Chillers .....	12
Upright Gastronorm Chillers with Split Doors .....	13
Upright Gastronorm Freezers .....	14
Upright Gastronorm Freezers with Split Doors .....	15
Sandwich / Pizza Preparation Chillers .....	16
Stainless Steel Top Chest Freezers .....	17

<b>Display Cabinets:</b> .....	<b>18</b>
Counter Top Display Chillers .....	19
Upright Display Chillers .....	20
Double Door Upright Display Chillers .....	22
Premium Double Door Upright Display Chillers .....	23
Back Bar Chillers .....	24

<b>Cake Display Cabinets:</b> .....	<b>25</b>
Cake Display Cabinets - Cold .....	26
Cake Display Cabinets - Warm .....	27

<b>Ice Machines:</b> .....	<b>28</b>
IME Ice Machine Range .....	29

<b>Ice Slicers:</b> .....	<b>30</b>
Power Ice Slicers .....	31

<b>Beverage Dispensers:</b> .....	<b>32</b>
Crathco Beverage Dispensers .....	33

<b>Warranty Against Defects</b> .....	<b>35</b>
---------------------------------------	-----------

# Commercial Kitchen



# Commercial Kitchen: Under Bench Chillers with Solid Doors



**USC260H**



**USC400H**



**USC550H**

**Features:**

- Self closing stainless steel doors with integrated handles
- Digital controller and digital temperature display
- Dynamic fan forced cooling system with automatic defrosting
- Stainless steel finish exterior and interior
- Castor wheels
- Climate rating: ST-T



optional extra: 2 drawer or 3 drawer set

Model	USC260H	USC400H	USC550H
<b>Gross volume (L)</b>	314	465	616
<b>Exterior dimensions in mm</b>	1360w x 700d x 860h	1795w x 700d x 860h	2230w x 700d x 860h
<b>Energy consumption in 24h</b>	2 kWh	2.4 kWh	2.8 kWh
<b>Temperature range</b>	-2°C to +8°C	-2°C to +8°C	-2°C to +8°C
<b>Number of adjustable shelves</b>	2	3	4
<b>Shelf material</b>	plastic coated steel	plastic coated steel	plastic coated steel
<b>Engine compartment lock</b>	yes	yes	yes
<b>Gastronorm pan size</b>	GN1/1	GN1/1	GN1/1
<b>Refrigerant</b>	R134a	R134a	R134a
<b>Gross/net weight</b>	113/98 kg	151/134 kg	173/153 kg
<b>Frequency/voltage</b>	50 Hz/220-240 V	50 Hz/220-240 V	50 Hz/220-240 V

**WARRANTY**  
**Parts & 1Yr Labour**  
 Warranty plan up to 3 Years available, please check with your dealer

# Commercial Kitchen: Under Bench Chillers with Glass Doors



**USC260G**



**USC400G**



**USC550G**

**Features:**

- Self closing double glaze glass doors with integrated handles
- Digital controller and digital temperature display
- Dynamic fan forced cooling system with automatic defrosting
- Stainless steel finish exterior and interior
- Castor wheels
- Climate rating: ST-T



optional extra: 2 drawer or 3 drawer set

Model	USC260G	USC400G	USC550G
<b>Gross volume (L)</b>	314	465	616
<b>Exterior dimensions in mm</b>	1360w x 700d x 860h	1795w x 700d x 860h	2230w x 700d x 860h
<b>Energy consumption in 24h</b>	2 kWh	2.4 kWh	2.8 kWh
<b>Temperature range</b>	-2°C to +8°C	-2°C to +8°C	-2°C to +8°C
<b>Number of adjustable shelves</b>	2	3	4
<b>Shelf material</b>	plastic coated steel	plastic coated steel	plastic coated steel
<b>Engine compartment lock</b>	yes	yes	yes
<b>Gastronorm pan size</b>	GN1/1	GN1/1	GN1/1
<b>Refrigerant</b>	R134a	R134a	R134a
<b>Gross/net weight</b>	113/98 kg	151/134 kg	173/153 kg
<b>Frequency/voltage</b>	50 Hz/220-240 V	50 Hz/220-240 V	50 Hz/220-240 V

**WARRANTY**  
**Parts & 1Yr labour**  
 Warranty plan up to 3 Years available, please check with your dealer

# Commercial Kitchen: Under Bench Freezers with Solid Doors



**USF260H**



**USF400H**



**Features:**

- Self closing stainless steel doors with integrated handles
- Digital controller and digital temperature display
- Dynamic fan forced cooling system with automatic defrosting
- Stainless steel finish exterior and interior
- Castor wheels
- Climate rating: ST-T



optional extra: 2 drawer or 3 drawer set

Model	USF260H	USF400H
<b>Gross volume (L)</b>	314	465
<b>Exterior dimensions in mm</b>	1360w x 700d x 860h	1795w x 700d x 860h
<b>Energy consumption in 24h</b>	5 kWh	7 kWh
<b>Temperature range</b>	-18°C to -22°C	-18°C to -22°C
<b>Number of adjustable shelves</b>	2	3
<b>Shelf material</b>	plastic coated steel	plastic coated steel
<b>Engine compartment lock</b>	yes	yes
<b>Gastronorm pan size</b>	GN1/1	GN1/1
<b>Refrigerant</b>	R404a	R404a
<b>Gross/net weight</b>	118/103 kg	154/136 kg
<b>Frequency/voltage</b>	50 Hz/220-240 V	50 Hz/220-240 V

**WARRANTY**  
**Parts & 1Yr labour**  
 Warranty plan up to 3 Years available, please check with your dealer

# Commercial Kitchen: Snack Size Under Bench Chillers with Solid Doors



**SSC260H**



**SSC400H**



**SSC550H**

## Features:

- Self closing stainless steel doors with integrated handles
- Digital controller and digital temperature display
- Dynamic fan forced cooling system with automatic defrosting
- Stainless steel finish exterior and interior
- Castor wheels
- Climate rating: ST-T

snack  
size cabinets  
- 600mm  
depth

Model	SSC260H	SSC400H	SSC550H
<b>Gross volume (L)</b>	260	386	511
<b>Exterior dimensions in mm</b>	1360w x 600d x 860h	1795w x 600d x 860h	2230w x 600d x 860h
<b>Energy consumption in 24h</b>	2 kWh	2.4 kWh	2.8 kWh
<b>Temperature range</b>	-2°C to +8°C	-2°C to +8°C	-2°C to +8°C
<b>Number of adjustable shelves</b>	2	3	4
<b>Shelf material</b>	plastic coated steel	plastic coated steel	plastic coated steel
<b>Engine compartment lock</b>	yes	yes	yes
<b>Refrigerant</b>	R134a	R134a	R134a
<b>Gross/net weight</b>	103/88 kg	145/125 kg	163/143 kg
<b>Frequency/voltage</b>	50 Hz/220-240 V	50 Hz/220-240 V	50 Hz/220-240 V

**WARRANTY**  
**1Yr** Parts & Labour  
Warranty plan up to 3 Years available,  
please check with your dealer



# Commercial Kitchen: Snack Size Under Bench Chillers with Glass Doors



**SSC260G**



**SSC400G**



**SSC550G**

**Features:**

- Self closing double glaze glass doors with integrated handles
- Digital controller and digital temperature display
- Dynamic fan forced cooling system with automatic defrosting
- Stainless steel finish exterior and interior
- Castor wheels
- Climate rating: ST-T

snack size cabinets - 600mm depth

Model	SSC260G	SSC400G	SSC550G
<b>Gross volume (L)</b>	260	386	511
<b>Exterior dimensions in mm</b>	1360w x 600d x 860h	1795w x 600d x 860h	2230w x 600d x 860h
<b>Energy consumption in 24h</b>	2 kWh	2.4 kWh	2.8 kWh
<b>Temperature range</b>	-2°C to +8°C	-2°C to +8°C	-2°C to +8°C
<b>Number of adjustable shelves</b>	2	3	4
<b>Shelf material</b>	plastic coated steel	plastic coated steel	plastic coated steel
<b>Engine compartment lock</b>	yes	yes	yes
<b>Refrigerant</b>	R134a	R134a	R134a
<b>Gross/net weight</b>	103/88 kg	145/125 kg	163/143 kg
<b>Frequency/voltage</b>	50 Hz/220-240 V	50 Hz/220-240 V	50 Hz/220-240 V

**WARRANTY**  
**Parts & 1Yr labour**  
 Warranty plan up to 3 Years available, please check with your dealer

# Commercial Kitchen: Snack Size Under Bench Freezers with Solid Doors



**SSSF260H**



**SSSF400H**



**Features:**

- Self closing stainless steel doors with integrated handles
- Digital controller and digital temperature display
- Dynamic fan forced cooling system with automatic defrosting
- Stainless steel finish exterior and interior
- Castor wheels
- Climate rating: ST-T

snack size cabinets - 600mm depth

Model	SSSF260H	SSSF400H
<b>Gross volume (L)</b>	260	386
<b>Exterior dimensions in mm</b>	1360w x 600d x 860h	1795w x 600d x 860h
<b>Energy consumption in 24h</b>	5 kWh	7 kWh
<b>Temperature range</b>	-18°C to -22°C	-18°C to -22°C
<b>Number of adjustable shelves</b>	2	3
<b>Shelf material</b>	plastic coated steel	plastic coated steel
<b>Engine compartment lock</b>	yes	yes
<b>Refrigerant</b>	R404a	R404a
<b>Gross/net weight</b>	110/95 kg	153/135 kg
<b>Frequency/voltage</b>	50 Hz/220-240 V	50 Hz/220-240 V

**WARRANTY**  
**Parts & 1Yr labour**  
 Warranty plan up to 3 Years available, please check with your dealer

# Commercial Kitchen: Single Door Under Bench Chillers and Freezers



**MC200H**



**MC200G**



**MF200H**



**Features:**

- Lockable door with integrated handle
- Digital temperature display and analog controller
- Fan assisted static cooling system with manual defrosting
- Stainless steel finish exterior and white aluminium finish interior
- Adjustable feet
- LED interior light
- Climate rating: N

Model	MC200H	MC200G	MF200H
<b>Gross volume (L)</b>	140	140	140
<b>Exterior dimensions in mm</b>	600w x 615d x 870h	600w x 615d x 870h	600w x 615d x 870h
<b>Energy consumption in 24h</b>	2 kWh	2 kWh	3 kWh
<b>Temperature range</b>	0°C to +10°C	0°C to +10°C	-10°C to -22°C
<b>Door material</b>	stainless steel	glass	stainless steel
<b>Number of shelves</b>	2 (adjustable)	2 (adjustable)	2 (fixed)
<b>Shelf material</b>	plastic coated steel	plastic coated steel	plastic coated steel
<b>Internal light</b>	no	yes	no
<b>Refrigerant</b>	R134a	R134a	R134a
<b>Gross/net weight</b>	49/44 kg	49/44 kg	52/47 kg
<b>Frequency/voltage</b>	50-60 Hz/220-240 V	50-60 Hz/220-240 V	50-60 Hz/220-240 V

600, 615, 871, 850, 700, 550

600, 615, 871, 850, 700, 550

600, 615, 871, 850, 700, 550

Warranty plan up to 3 Years available, please check with your dealer

# Commercial Kitchen: Upright Gastronorm Chillers



**GSC650H**



**GSC1410H**

**Features:**

- Lockable self closing stainless steel doors with integrated handles
- Digital controller and digital temperature display
- Dynamic fan forced cooling system with automatic defrosting
- Stainless steel finish exterior and interior
- Castor wheels
- Climate rating: ST-T

Model	GSC650H	GSC1410H
<b>Gross volume (L)</b>	685	1476
<b>Exterior dimensions in mm</b>	740w x 830d x 2010h	1480w x 830d x 2010h
<b>Energy consumption in 24h</b>	0.82 kWh	3.75 kWh
<b>Temperature range</b>	-2°C to +8°C	-2°C to +8°C
<b>Number of adjustable shelves</b>	5	10
<b>Shelf material</b>	plastic coated steel	plastic coated steel
<b>Gastronorm pan size</b>	GN1/1	GN1/1
<b>Refrigerant</b>	R134a	R134a
<b>Gross/net weight</b>	143/134 kg	210/195 kg
<b>Frequency/voltage</b>	50 Hz/220-240 V	50 Hz/220-240 V

**WARRANTY**  
**Parts & 1Yr labour**  
 Warranty plan up to 3 Years available, please check with your dealer

# Commercial Kitchen: Upright Gastronorm Chillers with Split Doors



**GSC652H**



**GSC1412H**

Split doors

**Features:**

- Lockable self closing stainless steel doors with integrated handles
- Digital controller and digital temperature display
- Dynamic fan forced cooling system with automatic defrosting
- Stainless steel finish exterior and interior
- Castor wheels
- Climate rating: ST-T

Model	GSC652H	GSC1412H
<b>Gross volume (L)</b>	685	1476
<b>Exterior dimensions in mm</b>	740w x 830d x 2010h	1480w x 830d x 2010h
<b>Energy consumption in 24h</b>	1.25 kWh	5.75 kWh
<b>Temperature range</b>	-2°C to +8°C	-2°C to +8°C
<b>Number of adjustable shelves</b>	5	10
<b>Shelf material</b>	plastic coated steel	plastic coated steel
<b>Gastronorm pan size</b>	GN1/1	GN1/1
<b>Refrigerant</b>	R134a	R134a
<b>Gross/net weight</b>	143/134 kg	217/202 kg
<b>Frequency/voltage</b>	50 Hz/220-240 V	50 Hz/220-240 V

**WARRANTY**  
**1Yr** labour  
 Parts & labour  
 Warranty plan up to 3 Years available, please check with your dealer

# Commercial Kitchen: Upright Gastronorm Freezers



**GSF650H**



**GSF1410H**



**Features:**

- Lockable self closing stainless steel doors with integrated handles
- Digital controller and digital temperature display
- Dynamic fan forced cooling system with automatic defrosting
- Stainless steel finish exterior and interior
- Castor wheels
- Climate rating: ST-T

Model	GSF650H	GSF1410H
<b>Gross volume (L)</b>	685	1476
<b>Exterior dimensions in mm</b>	740w x 830d x 2010h	1480w x 830d x 2010h
<b>Energy consumption in 24h</b>	2 kWh	4.75 kWh
<b>Temperature range</b>	-18°C to -22°C	-18°C to -22°C
<b>Number of adjustable shelves</b>	5	10
<b>Shelf material</b>	plastic coated steel	plastic coated steel
<b>Gastronorm pan size</b>	GN1/1	GN1/1
<b>Refrigerant</b>	R404a	R404a
<b>Gross/net weight</b>	147/138 kg	226/208 kg
<b>Frequency/voltage</b>	50 Hz/220-240 V	50 Hz/220-240 V

**WARRANTY**  
**1Yr** Parts & labour  
 Warranty plan up to 3 Years available, please check with your dealer

# Commercial Kitchen: Upright Gastronorm Freezers with Split Doors



**GSF652H**



**GSF1412H**

Split doors



**Features:**

- Lockable self closing stainless steel doors with integrated handles
- Digital controller and digital temperature display
- Dynamic fan forced cooling system with automatic defrosting
- Stainless steel finish exterior and interior
- Castor wheels
- Climate rating: ST-T

Model	GSF652H	GSF1412H
<b>Gross volume (L)</b>	685	1476
<b>Exterior dimensions in mm</b>	740w x 830d x 2010h	1480w x 830d x 2010h
<b>Energy consumption in 24h</b>	1.45 kWh	6.75 kWh
<b>Temperature range</b>	-18°C to -22°C	-18°C to -22°C
<b>Number of adjustable shelves</b>	5	10
<b>Shelf material</b>	plastic coated steel	plastic coated steel
<b>Gastronorm pan size</b>	GN1/1	GN1/1
<b>Refrigerant</b>	R404a	R404a
<b>Gross/net weight</b>	147/138 kg	230/210 kg
<b>Frequency/voltage</b>	50 Hz/220-240 V	50 Hz/220-240 V

**WARRANTY**  
**1Yr** Parts & labour  
 Warranty plan up to 3 Years available, please check with your dealer

# Commercial Kitchen: Sandwich / Pizza Preparation Chillers



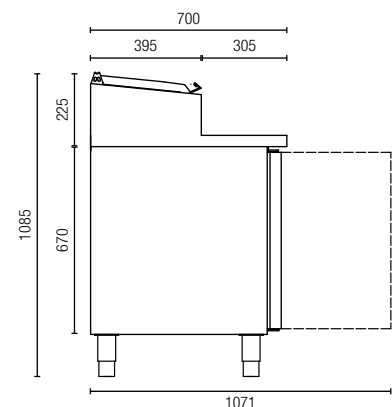
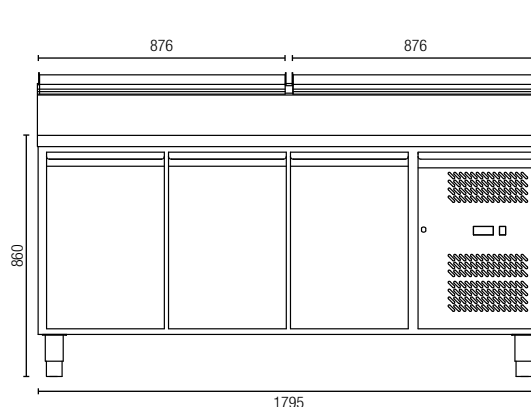
**MTC360H**

**Features:**

- Self closing stainless steel doors with integrated handles
- Digital controller and digital temperature display
- Dynamic fan forced cooling system with automatic defrosting
- Stainless steel finish exterior and interior
- Height adjustable legs
- Climate rating: ST-T

Model	MTC360H
-------	---------

Gross volume (L)	470
Exterior dimensions in mm	1795w x 700d x 1050h
Energy consumption in 24h	2.4 kWh
Temperature range	+2°C to +8°C
Number of adjustable shelves	3
Shelf material	plastic coated steel
Gastronorm pan size	GN1/1
Refrigerant	R134a
Gross/net weight	180/155 kg
Frequency/voltage	50 Hz/220-240 V
Climate rating	ST-T



**WARRANTY**  
**Parts & 1Yr Labour**  
 Warranty plan up to 3 Years available,  
 please check with your dealer



# Commercial Kitchen: Stainless Steel Top Chest Freezers



**ESS550H**



**ESS650H**

**Features:**

- White painted steel body with stainless steel lid
- Aluminium liner material
- Static cooling system with manual defrosting
- Door handle with lock
- Internal light
- Castor wheels
- Climate rating: SN



Model	ESS550H	ESS650H
<b>Gross volume (L)</b>	550	650
<b>Exterior dimensions in mm</b>	1530w x 765d x 840h	1810w x 765d x 840h
<b>Energy consumption in 24h</b>	1.6 kWh	1.9 kWh
<b>Temperature range</b>	-18°C to -25°C	-18°C to -25°C
<b>Number of baskets</b>	5	6
<b>Basket material</b>	plastic coated wire	plastic coated wire
<b>Insulation</b>	75 mm	75 mm
<b>Refrigerant</b>	R134a	R134a
<b>Gross/net weight</b>	83/75 kg	92/82 kg
<b>Frequency/voltage</b>	50 Hz/220-240 V	50 Hz/220-240 V

**WARRANTY**  
**1Yr** labour  
**Parts & labour**  
 Warranty plan up to 3 Years available, please check with your dealer

# Display Cabinets



# Display Cabinets: Counter Top Display Chillers



**CTD78**



**CTD78LED**



**CTD78L-LED**

**Features:**

- Double curved glass door (front and back) for easy stock rotation
- Lockable doors with double handle
- Digital controller and digital temperature display
- Dynamic fan forced cooling system with automatic defrosting
- Available in black or white
- Climate rating: N

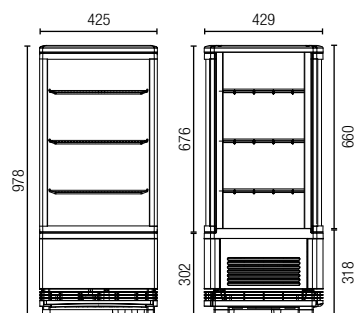
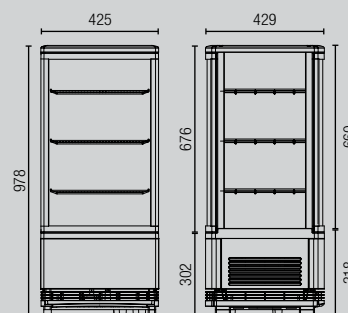
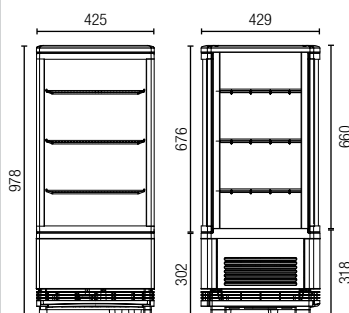


Double lockable curved doors

available  
Colours:  
Black or  
White

Model	CTD78	CTD78-LED	CTD78L-LED
-------	-------	-----------	------------

<b>Gross volume (L)</b>	86	86	86
<b>Exterior dimensions in mm</b>	425w x 429d x 978h	425w x 429d x 978h	425w x 429d x 978h
<b>Energy consumption in 24h</b>	1.9 kWh	1.9 kWh	1.9 kWh
<b>Temperature range</b>	+2°C to +12°C	+2°C to +12°C	+2°C to +12°C
<b>Number of adjustable shelves</b>	3	3	3
<b>Shelf material</b>	chrome coated steel	chrome coated steel	chrome coated steel
<b>Internal top light</b>	yes	yes	yes
<b>LED strips on corners</b>	no	yes	yes
<b>Bottom lightbox</b>	no	no	yes
<b>Refrigerant</b>	R134a	R134a	R134a
<b>Gross/net weight</b>	39/36.5 kg	39/36.5 kg	39/36.5 kg
<b>Frequency/voltage</b>	50 Hz/220-240 V	50 Hz/220-240 V	50 Hz/220-240 V



**WARRANTY**  
**Parts & 1Yr Labour**  
Warranty plan up to 3 Years available, please check with your dealer

# Display Cabinets: Upright Display Chillers



**CTD235 Black**

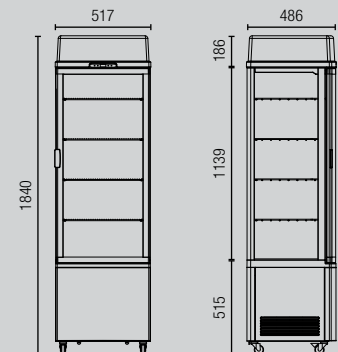
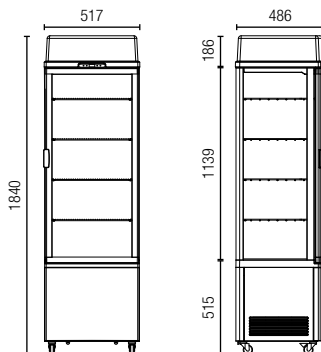


**CTD235 White**

**Features:**

- Double glazed curved glass door with handle
- Digital controller and digital temperature display
- Dynamic fan forced cooling system with automatic defrosting
- Removable top light box
- Castor wheels
- Climate rating: N

Model	CTD235 Black	CTD235 White
<b>Gross volume (L)</b>	235	235
<b>Exterior dimensions in mm</b>	517w x 486d x 1840h	517w x 486d x 1840h
<b>Energy consumption in 24h</b>	5.46 kWh	5.46 kWh
<b>Temperature range</b>	+2°C to +12°C	+2°C to +12°C
<b>Number of adjustable shelves</b>	4	4
<b>Shelf material</b>	chrome coated steel	chrome coated steel
<b>Internal top light</b>	yes	yes
<b>LED strips on corners</b>	yes	yes
<b>Refrigerant</b>	R134a	R134a
<b>Gross/net weight</b>	80.5/76.4 kg	80.5/76.4 kg
<b>Frequency/voltage</b>	50 Hz/220-240 V	50 Hz/220-240 V



**WARRANTY**  
**1Yr** Parts & labour  
 Warranty plan up to 3 Years available, please check with your dealer

# Display Cabinets: Upright Display Chillers



**DC200P**



**DC360P**



**DC400P**

**Features:**

- Lockable double glazed door with handle
- Digital controller and digital temperature display
- Dynamic fan forced cooling system with automatic defrosting
- White steel external and internal finish
- LED internal light
- Castor wheels
- Climate rating: ST

Model	DC200P	DC360P	DC400P
<b>Gross volume (L)</b>	200	330	400
<b>Exterior dimensions in mm</b>	538w x 505d x 1575h	578w x 605d x 1824h	606w x 620d x 2000h
<b>Energy consumption in 24h</b>	1.4 kWh	1.85 kWh	4 kWh
<b>Temperature range</b>	0°C to +10°C	0°C to +10°C	0°C to +10°C
<b>Number of adjustable shelves</b>	3	4	4
<b>Shelf material</b>	plastic coated steel	plastic coated steel	plastic coated steel
<b>Refrigerant</b>	R134a	R134a	R134a
<b>Gross/net weight</b>	63/58 kg	80/73 kg	98/83 kg
<b>Frequency/voltage</b>	50 Hz/220-240 V	50 Hz/220-240 V	50 Hz/220-240 V

**WARRANTY**

**1Yr** labour

Parts & labour

Warranty plan up to 3 Years available, please check with your dealer

# Display Cabinets: Double Door Upright Display Chillers



**DC1000P**

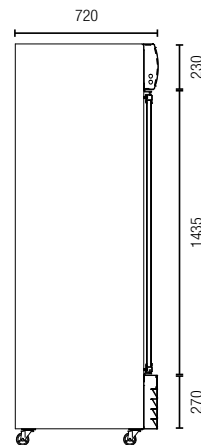
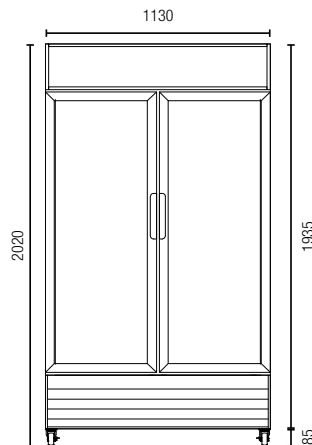
## Features:

- Lockable double glazed doors with handles
- Digital controller and digital temperature display
- Dynamic fan forced cooling system with automatic defrosting
- White steel external and internal finish
- LED internal light
- Castor wheels
- Climate rating: ST

## Model

**DC1000P**

<b>Gross volume (L)</b>	1000
<b>Exterior dimensions in mm</b>	1130w x 720d x 2020h
<b>Energy consumption in 24h</b>	5.6 kWh
<b>Temperature range</b>	0°C to +10°C
<b>Number of adjustable shelves</b>	8
<b>Shelf material</b>	plastic coated steel
<b>Refrigerant</b>	R134a
<b>Gross/net weight</b>	175/155 kg
<b>Frequency/voltage</b>	50 Hz/220-240 V



**WARRANTY**  
**1Yr** labour  
Parts & labour  
Warranty plan up to 3 Years available,  
please check with your dealer

# Display Cabinets: Premium Double Door Upright Display Chillers



stainless steel door-frames and front grill

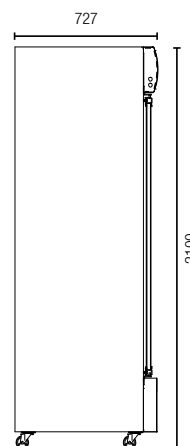
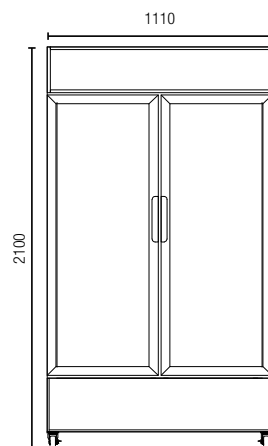
## Features:

- Lockable double glazed doors with stainless steel frames
- Digital controller and digital temperature display
- Dynamic fan forced cooling system with automatic defrosting
- Black coloured body with stainless steel front grill
- Premium stainless steel finish
- LED internal light
- Wide top light box
- Castor wheels
- Climate rating: ST

**SS1000P**

Model	SS1000P
-------	---------

Gross volume (L)	1000
Exterior dimensions in mm	1110w x 727d x 2100h
Energy consumption in 24h	6.2 kWh
Temperature range	0°C to +10°C
Number of adjustable shelves	8
Shelf material	plastic coated steel
Refrigerant	R134a
Gross/net weight	146/131 kg
Frequency/voltage	50 Hz/220-240 V



**WARRANTY**  
**1Yr** Parts & labour  
 Warranty plan up to 3 Years available, please check with your dealer

# Display Cabinets: Back Bar Chillers



**UBC140**



**UBC210**



**UBC330**

## Features:

- Lockable double glazed glass doors with handle
- Digital controller and digital temperature display
- Dynamic fan forced cooling system with automatic defrosting
- Black steel external finish and aluminium internal finish
- LED internal light
- Climate rating: ST

Model	UBC140	UBC210	UBC330
<b>Gross volume (L)</b>	138	208	330
<b>Exterior dimensions in mm</b>	600w x 530d x 895h	900w x 530d x 895h	1350w x 530d x 895h
<b>Energy consumption in 24h</b>	1.3 kWh	1.8 kWh	2.1 kWh
<b>Temperature range</b>	0°C to +10°C	0°C to +10°C	0°C to +10°C
<b>Number of adjustable shelves</b>	2	4	6
<b>Shelf material</b>	chrome coated wire	chrome coated wire	chrome coated wire
<b>Refrigerant</b>	R134a	R134a	R134a
<b>Gross/net weight</b>	47/43 kg	65/59 kg	84/80 kg
<b>Frequency/voltage</b>	50 Hz/220-240 V	50 Hz/220-240 V	50 Hz/220-240 V

**WARRANTY**  
**Parts & 1Yr labour**  
 Warranty plan up to 3 Years available, please check with your dealer



# Cake Display Cabinets



# Cake Display Cabinets: Cake Display Cabinets - Cold



**CDC900**

**CDC1200**

**CDC1500**

**Features:**

- Digital temperature display and electronic controller
- Dynamic fan forced cooling system with auto defrosting
- Triple layer glass for maximum insulation
- 304 grade stainless steel external structure
- Auto defogging by heated glass
- Sliding door for easy access
- LED internal light
- Climate rating: N

Model	CDC900	CDC1200	CDC1500
<b>Gross volume (L)</b>	317	439	562
<b>Exterior dimensions in mm</b>	900w x 700d x 1350h	1200w x 700d x 1350h	1500w x 700d x 1350h
<b>Energy consumption in 24h</b>	0.9 kWh	0.97 kWh	1.1 kWh
<b>Temperature range</b>	+2°C to +6°C	+2°C to +6°C	+2°C to +6°C
<b>Number of adjustable shelves</b>	3	3	3
<b>Shelf material</b>	glass	glass	glass
<b>Refrigerant</b>	R134a	R134a	R404a
<b>Gross/net weight</b>	247/200 kg	311/260 kg	345/290 kg
<b>Frequency/voltage</b>	50 Hz/220-240 V	50 Hz/220-240 V	50 Hz/220-240 V

**WARRANTY**  
**1Yr** Parts & Labour  
 Warranty plan up to 3 Years available, please check with your dealer

# Cake Display Cabinets: Cake Display Cabinets - Warm



**CDW900**



**CDW1200**

**Features:**

- Digital temperature display and electronic controller
- Ventilated system by fan
- Triple layer glass for maximum insulation
- 304 grade stainless steel external structure
- Auto defogging by heated glass
- Sliding door for easy access
- LED internal light

Model	CDW900	CDW1200
<b>Gross volume (L)</b>	317	439
<b>Exterior dimensions in mm</b>	900w x 700d x 1350h	1200w x 700d x 1350h
<b>Energy consumption in 24h</b>	0.31 kWh	0.43 kWh
<b>Temperature range</b>	+35°C to +75°C	+35°C to +75°C
<b>Number of adjustable shelves</b>	3	3
<b>Shelf material</b>	glass	glass
<b>Gross/net weight</b>	237/190 kg	301/250 kg
<b>Frequency/voltage</b>	50 Hz/220-240 V	50 Hz/220-240 V

**WARRANTY**  
**1Yr** Parts & labour  
 Warranty plan up to 3 Years available, please check with your dealer

# Ice Machines



# Ice Machines: IME Ice Machine Range

reversible stainless steel door



**IME50**



**IME75**



**IME130**

**Features:**

- Produce crystal clear ice
- Air cooler condenser
- Automatic overflow prevention
- Integrated door handle
- Suitable for free-standing or built in underbench application
- Height adjustable feet for leveling
- Climate rating: SN

Model	IME50	IME75	IME130
<b>Maximum daily ice production</b>	23 kg	43 kg	61 kg
<b>Exterior dimensions in mm</b>	370w x 600d x 851h	419w x 541d x 826h	561w x 541d x 826h
<b>Power consumption/100 lbs of ice</b>	13.2 kWh	12 kWh	8.6 kWh
<b>Storage capacity</b>	12 kg	11.3 kg	15.8 kg
<b>Ice type</b>	cube	individual bullet	individual bullet
<b>Ice cube size in mm</b>	19 x 19 x 25	32 x 32 x 32	32 x 32 x 32
<b>Cabinet finish</b>	black steel, stainless steel	stainless steel	stainless steel
<b>Refrigerant</b>	R134a	R134a	R134a
<b>Gross/net weight</b>	42/38 kg	47/42 kg	55/50 kg
<b>Frequency/voltage</b>	50 Hz/220-240 V	50 Hz/220-240 V	50 Hz/220-240 V

**WARRANTY**  
**Parts & 1Yr labour**  
 Warranty plan up to 3 Years available, please check with your dealer

# Ice Slicers



# Ice Slicers: Power Ice Slicers



**WI303**

## Features:

- ABS thermoplastic finish
- High grade stainless steel slicing chamber
- Mechanical slicing system with adjustable ice roughness
- Drain hose and dripping tray included
- Switch button control operation

Model	WI303
Slicing capacity	5 kg/min
Exterior dimensions in mm	330w x 400d x 470h
Operation current	1.2 A
Start-up current	3.4 A
Net weight	17.4 kg
Frequency/voltage	50 Hz/220-240 V

**WARRANTY**  
**1Yr**  
**Parts & labour**  
Warranty plan up to 3 Years available,  
please check with your dealer

# Beverage Dispensers





# Beverage Dispensers: Crathco Beverage Dispensers



**D155-3**



**D255-3**

## Features:

- Stainless steel finish
- Easy clean stainless steel evaporator surface
- Super-strong polycarbonate bowl and cover for lasting durability
- Unique evaporator and high efficiency pump cools faster and more efficient for faster start-ups

Model	D155-3	D255-3
Number of bowls	1	2
Bowl capacity (gallons)	5	5
Bowl capacity (L)	18.9	18.9
Exterior dimensions in mm	260w x 400d x 690h	440w x 380d x 690h
Cup height (mm)	203	205
Weight	20.4 kg	35 kg
Refrigerant	R134a	R134a
Frequency/voltage	50 Hz/220-240 V	50 Hz/220-240 V



# Beverage Dispensers: Crathco Beverage Dispensers



**Crathco**<sup>®</sup>  
BY GMCW™



**D355-3**



new model  
with quick and  
easy installation  
**BPA free**  
bowls

**CS-2E-22**

**Standard Features:**

- Stainless steel finish
- Easy clean stainless steel evaporator surface
- Super-strong polycarbonate bowl and cover for lasting durability
- Unique evaporator and high efficiency pump cools faster and more efficient for faster start-ups

Model	D355-3	CS-2E-22
Number of bowls	3	2
Bowl capacity (gallons)	5	2.4
Bowl capacity (L)	18.9	9
Exterior dimensions in mm	650w x 400d x 690h	270w x 450d x 640h
Cup height (mm)	210	230
Weight	43 kg	29 kg
Refrigerant	R134a	R134a
Frequency/voltage	50 Hz/220-240 V	50 Hz/220-240 V

**WARRANTY**  
**1Yr**  
**Parts & labour**  
Warranty plan up to 3 Years available,  
please check with your dealer

# Warranty Against Defects

---

Exquisite Marketing Australia Pty. Ltd. (A.C.N. 108 843 054) of Unit 5, 6 Garden Road, Clayton VIC 3168 Australia (Phone: (03) 9561 1595; Email: sales@exquisiteaust.com.au) ("**Exquisite**") warrants to the original purchaser ("**Customer**") who has purchased any of its following products ("**Product**") that they will be free from defects in workmanship and material for their respective periods as set out below from and including the date of invoice ("**Warranty Period**"). It is, however, expressly agreed that to the extent permitted by law, Exquisite is not liable for any indirect or consequential loss, loss of profit or any other economic loss arising from any defects covered by the Warranty. This Warranty is in addition to and does not exclude the "consumer guarantees" under Australian Consumer Law.

## All Exquisite Products - Twelve (12) months for materials and workmanship

Should the Customer find any defect in material or workmanship within the Warranty Period, Exquisite will at its sole discretion either replace the Product or repair the Product at no cost subject to the following terms and conditions ("**Warranty**").

1. The Warranty applies if and only if the Customer has used the Product in accordance with the directions given by Exquisite and strictly for the purpose to which the Product is intended.
2. The Warranty Period begins on the original date of purchase (being the date stated on Exquisite's invoice or the invoice of Exquisite's authorised dealer ("**Invoice**").
3. The Warranty is valid only for Products originally purchased and used within Australia.
4. The Customer must provide to Exquisite details of the Invoice (including serial number and model code) when making a claim under the Warranty. Incorrect or incomplete details may delay the processing of the claim. Exquisite reserves the right to charge the Customer for all reasonable expenses if the information provided by the Customer is incorrect or the Product was in fact not originally purchased by the Customer directly from Exquisite.
5. Exquisite or its authorised agent has the right to assess the Product to determine the cause of the defect. The Customer must make the Product accessible for Exquisite or its authorised agent to assess and, if applicable, to repair including removing all personal items in the way. If required, the Customer must at the Customer's own cost (unless otherwise prescribed by law) return the Product to Exquisite or its authorised agent. The Product must be returned with all original components including but not limited to manual, keys and bracket.
6. The Warranty does not apply:
  - If notice of the defect has not been given by the Customer within the Warranty Period; or
  - If the defect arises from or in the reasonable opinion of Exquisite or its authorised agent, is likely to arise from one or more of the following:
    - connection to improper, inadequate or faulty electricity;
    - damage or failure as a consequence of not removing the packaging or transportation material before use;
    - natural wear and tear including but not limited to filters, fuses, lamps, batteries, handles, locks, hinges, glass or plastic components and liquid containing components;
    - extraordinary or unforeseeable events including but not limited to voltage/power surges, irregular electric power supply, natural events or disasters such as flooding and earthquake, riots and sabotage;
    - improper use of cleaning agents, detergents, bleaches or other chemical additives or agents of a corrosive nature;
    - breakage, either intentionally or accidentally, to any part of the Product;
    - any modification to, tampering with or repair or servicing of the Product except by Exquisite or its authorised agent or using parts not approved or authorised by Exquisite;
    - improper, reckless, negligent or unsuited use of the Product including but not limited to: (a) use for an unspecified purpose; (b) use in an environment where the ambient temperature and relative humidity are outside the operating parameters specified for the Product; (c) movement of the Product when in operation (for clarity, the Products are designed for stationary operation only and must be connected directly to fixed wall power supply); (d) improper adjustment made such as to the analogue thermostat or digital controller when the Product is in operation;
    - corrosion or damage caused by foreign object externally or internally;
    - engine, mechanical or technical failure (but not limited to compressor failure) due to one or more of the following:
      - inadequate and/or irregular maintenance (of the type specified or recommended by its manufacturer/Exquisite) of components including but not limited to condensers and filters;
      - inadequate and/or irregular cleaning of the condenser (fortnightly and more frequently if required);
      - failure to provide adequate ventilation for the Product as specified or recommended by its manufacturer/Exquisite;
      - fair wear and tear.
7. Any repair must be undertaken either by Exquisite or an agent authorised by Exquisite. Otherwise, Exquisite is entitled to avoid the Warranty.
8. The Warranty Period is not extended or renewed by any successful claim whereby the Product is replaced or repaired.
9. Exquisite makes no representation as to the time frame within which any repair can or will be carried out. In general, any repair will be restricted to normal business hours Monday to Friday (9am - 5pm) excluding public holidays and weekends. Exquisite is not liable for the cost of the authorised service agents other than the time specified in this point.

Exquisite is not liable for travelling time of more than 50 kilometres from an authorised service agent or 1 hour from the service agent, whichever is lesser. For goods located outside this area, it is the customer responsibility and cost to transport goods forth and back. When the customer is not able to transport the goods, the customer shall be responsible to pay upfront payment for Exquisite to arrange the transportation of the goods, AND / OR to any necessary travelling expenses for Exquisite service agents to attend the service.
10. Warranty back to base apply to any items that can be carried and place into a standard vehicle (eg: WI-303 and Crathco Drink Dispenser) is/are to be returned (or sent via pre-paid freight) to Exquisite or its authorised service agent. The customer shall agree to arrange pick up the goods after it is being serviced.
11. Where Exquisite elects to replace rather than repair a Product but no identical replacement is available, Exquisite has the right to replace the Product with one of a similar standard and design then available from its range. Exquisite is not responsible for the re-packing and installation of any replacement.
12. Exquisite has the rights to invoice a customer directly for a service call, parts, and labour, for a service that was deemed by its authorised service agents for issues not connected to a warranty issue. The invoice is required to be paid within 14 days of the invoice date.

# Exquisite

Exquisite Marketing Australia Pty. Ltd.  
Unit 5, 6 Garden Road  
Clayton VIC 3168 Australia

**P** +61 3 9561 1595, 9561 1695

**F** +61 3 9561 1690

**E** sales@exquisiteaust.com.au

**WWW.EXQUISITEAUST.COM.AU**

## **Climate rating definitions**

Climate rating SN: ambient temperatures from +10°C to +32°C

Climate rating N: ambient temperatures from +16°C to +32°C

Climate rating ST: ambient temperatures from +16°C to +38°C

Climate rating T: ambient temperatures from +16°C to +43°C

All specifications are subject to change without prior notice. Printed in 2015.

